

# INSTRUCTION MANUAL

1-800-54-HOW TO

## Single Speed and Variable Speed Jig Saws

7543, 7548

### KEY INFORMATION YOU SHOULD KNOW:

- Tighten the blade clamp screw before sawing. See page 5 for blade installation instructions.

**SAVE THIS  
MANUAL FOR  
FUTURE REFERENCE.**

**VEA EL ESPAÑOL EN LA CONTRAPORTADA.  
POUR LE FRANÇAIS, VOIR LA COUVERTURE ARRIÈRE.**


INSTRUCTIVO DE OPERACIÓN, CENTROS DE SERVICIO Y PÓLIZA DE GARANTÍA. ADVERTENCIA: LÉASE ESTE INSTRUCTIVO ANTES DE USAR EL PRODUCTO.

 **BLACK & DECKER®**

*If you have any questions, call  
1-800-54-HOW TO*

## **WARNING: IMPORTANT SAFETY WARNINGS AND INSTRUCTIONS**

### TO REDUCE RISK OF INJURY:

- Before any use, be sure everyone using this tool reads and understands all safety instructions and other information contained in this manual.
- Save these instructions and review frequently prior to use and in instructing others.
-  **WARNING:** When using electric tools, basic safety precautions should always be followed to reduce risk of fire, electric shock, and personal injury, including the following.

### READ ALL INSTRUCTIONS

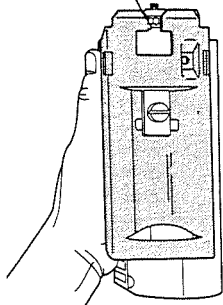
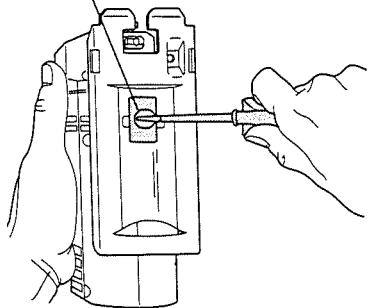
## **GENERAL SAFETY WARNINGS AND INSTRUCTIONS FOR ALL TOOLS**

- **KEEP WORK AREA CLEAN.** Cluttered areas and benches invite injuries.
- **CONSIDER WORK AREA ENVIRONMENT.** Don't expose power tools to rain. Don't use power tools in damp or wet locations. Keep work area well lit.
- **GUARD AGAINST ELECTRIC SHOCK.** Prevent body contact with grounded surfaces; for example, pipes, radiators, ranges, and refrigerator enclosures.
- **KEEP CHILDREN AWAY.** All visitors should be kept away from work area. Do not let visitors contact tool or extension cord.
- **STORE IDLE TOOLS.** When not in use, tools should be stored in dry, and high or locked-up place — out of reach of children.
- **DON'T FORCE A TOOL.** It will do the job better and safer at the rate for which it was intended.
- **USE RIGHT TOOL.** Don't force small tool or attachment to do the job of a heavy duty tool. Don't use tool for purpose not intended.
- **DRESS PROPERLY.** Do not wear loose clothing or jewelry. They can be caught in moving parts. Rubber gloves and non-skid footwear are recommended when working outdoors. Wear protective hair covering to contain long hair.
- **USE SAFETY GLASSES.** Also use face or dustmask if operation is dusty.
- **DON'T ABUSE CORD.** Never carry tool by cord or yank it to disconnect from

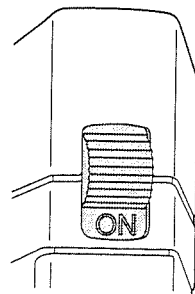
To loosen  
Desserrer  
Para aflojar

1

Anti-splintering position  
Mode antiéclatement  
Posición anti astilladuras

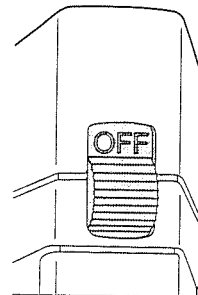


Slide shoe back  
Glisser le patin vers  
l'arrière  
Deslice la zapata hacia  
atrás



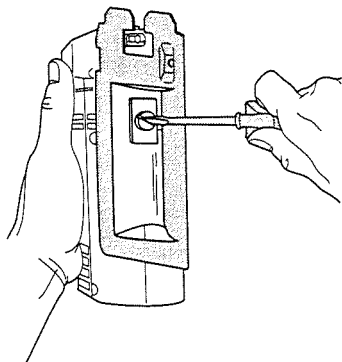
On—push forward  
En marche-pousser vers  
l'avant  
Encendido-empuje  
hacia adelante

4



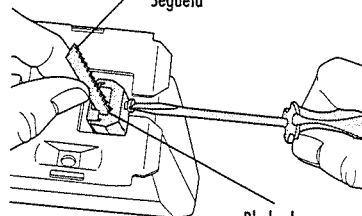
Off—push back  
Hors tension-pousser  
vers l'arrière  
Apagado-empuje hacia  
atrás

2



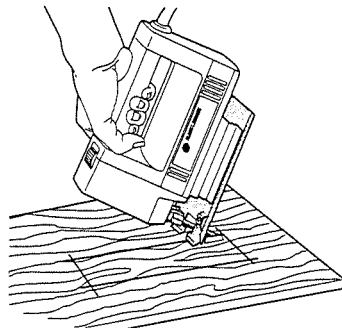
3

Saw blade  
Lame  
Segueta

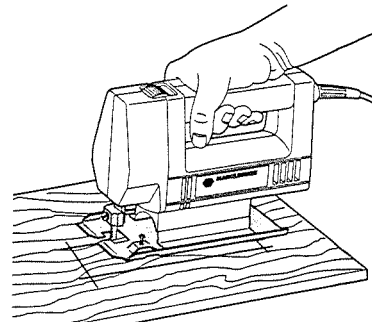


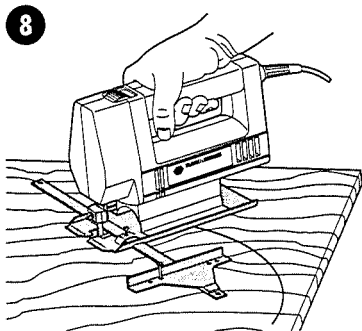
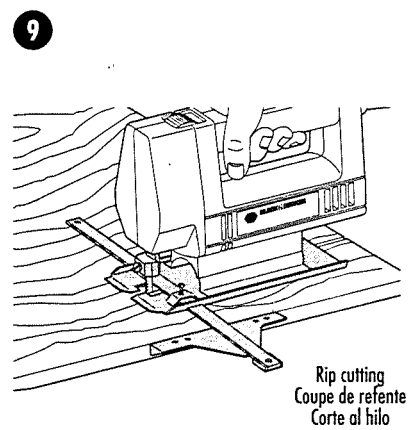
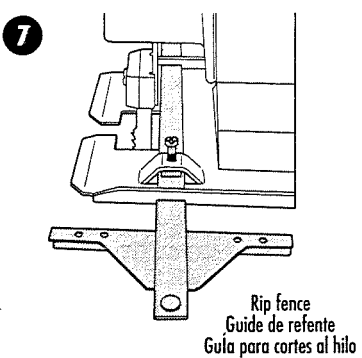
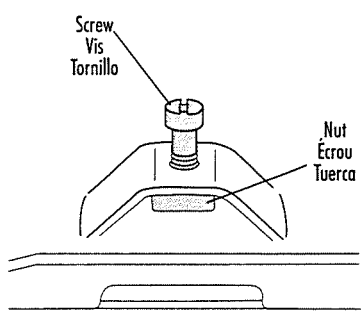
Blade clamp  
Serre lame  
Sujetador de la  
segueta

5



6





**ESPECIFICACIONES**

120V~ 211W 60Hz 2,2A

- **receptacle.** Keep cord from heat, oil, and sharp edges.
- **SECURE WORK.** Use clamps or a vise to hold work. It's safer than using your hand and it frees both hands to operate tool.
- **DON'T OVERREACH.** Keep proper footing and balance at all times.
- **DISCONNECT OR LOCK OFF TOOLS** when not in use, before servicing, and when changing accessories, such as blades, bits, cutters.
- **REMOVE ADJUSTING KEYS AND WRENCHES.** Form habit of checking to see that keys and adjusting wrenches are removed from tool before turning it on.
- **AVOID UNINTENTIONAL STARTING.** Don't carry plugged-in tool with finger on the switch. Be sure the switch is off when plugging in.
- **EXTENSION CORDS.** Make sure your extension cord is in good condition.

When using an extension cord, be sure to use one heavy enough to carry the current your product will draw.

An undersized cord will cause a drop in line voltage resulting in loss of power and overheating.

The table below shows the correct size to use depending on cord length and nameplate ampere rating. If in doubt, use the next heavier gage. The smaller the gage number, the heavier the cord.

Volts	Minimum Gage for Cord Sets				
	Total Length of Cord in Feet				
120V	0-25	26-50	51-100	101-150	
240V	0-50	51-100	101-200	201-300	
Ampere Rating		AWG			
More Than	Not more Than				
0 - 6	18	16	16	14	
6 - 10	18	16	14	12	
10 - 12	16	16	14	12	
12 - 16	14	12	Not Recommended		

- **MAINTAIN TOOLS WITH CARE.** Keep tools sharp and clean for better and safe performance. Follow instructions for lubricating and changing accessories. Inspect tool cords periodically and if damaged have repaired by authorized service facility. Inspect extension cords periodically and replace if damaged. Keep handles dry, clean, and free from oil and grease.
- **OUTDOOR USE EXTENSION CORDS.** When tool is used outdoors, use only extension cords intended for use outdoors and so marked.
- **STAY ALERT.** Watch what you are doing. Use common sense. Do not operate tool when you are tired.
- **CHECK DAMAGED PARTS.** Before further use of the tool, a guard or other part that is damaged should be carefully checked to determine that it will operate properly and perform its intended function. Check for alignment of moving parts, binding of moving parts, breakage of parts, mounting, and any other

If you have any questions, call 1-800-54-HOW-TO

conditions that may affect its operation. A guard or other part that is defective should be properly repaired or replaced by an authorized service center unless otherwise indicated elsewhere in this instruction manual. Have defective switches replaced by authorized service center. Do not use tool if switch does not turn it on and off.

- **DO NOT OPERATE** portable electric tools near flammable liquids or in gaseous or explosive atmospheres. Motors in these tools normally spark, and the sparks might ignite fumes.
- **CAUTION:** When sawing into walls, floors or wherever live electrical wires may be encountered, **DO NOT TOUCH ANY METAL PARTS OF THE TOOL!** Hold the tool only by the plastic handle to prevent shock.

### ⚠ SAFETY WARNINGS AND INSTRUCTIONS: DOUBLE INSULATION

Double insulated tools are constructed throughout with two separate layers of electrical insulation or a double thickness of insulation between you and the tool's electrical system. Tools built with double insulation are not intended to be grounded. As a result, your tool is equipped with a two prong plug which permits you to use extension cords without concern for maintaining a ground connection.

Double insulation does not take the place of normal safety precautions when operating this tool. The insulation system is for added protection against injury resulting from a possible electrical insulation failure within the tool.

**REPLACEMENT PARTS:** When servicing use only identical replacement parts. Repair or replace damaged cords.

### ⚠ SAFETY WARNINGS AND INSTRUCTIONS: POLARIZED PLUGS

Polarized plugs (one blade is wider than the other) are used on equipment to reduce the risk of electric shock. When provided, this plug will fit into a polarized outlet only one way. If the plug does not fit fully into the outlet, reverse the plug. If it still does not fit, contact a qualified electrician to install the proper outlet. Do not change the plug in any way.

### ⚠ SAFETY WARNINGS AND INSTRUCTIONS: JIG SAWS

1. **KEEP HANDS AWAY** from cutting areas. Never reach underneath the material for any reason.

- USE SHARP BLADES ONLY.** Dull blades may break or cause the saw to stall under pressure.
- Some wood contains preservatives such as copper chromium arsenate (CCA) which can be toxic. When cutting these materials, extra care should be taken to avoid inhalation and to minimize skin contact.

## **⚠ OTHER IMPORTANT SAFETY WARNINGS AND INSTRUCTIONS**

Some wood contains preservatives such as copper chromium arsenate (CCA) which can be toxic. When cutting these materials, extra care should be taken to avoid inhalation and minimize skin contact.

## **SAVE THESE INSTRUCTIONS**

### **Motor**

Be sure your power supply agrees with nameplate marking.

120 volts, AC only means your tool may be operated only with alternating current and **never** with direct current.

Voltage decrease of more than 10% will cause loss of power and overheating. All tools are factory tested; if this tool does not operate, check the power supply.

### **Anti-Splintering Shoe Position**

#### **TURN OFF AND UNPLUG SAW.**

Your saw is equipped with an anti-splintering shoe which is particularly useful when cutting plywood. To help control splintering for a smoother cut, loosen (do not remove) the screw in the bottom of the shoe, as shown in Figure 1. Slide the shoe back, as shown in the figure, as far as it will go. Tighten the screw to hold the shoe in this position.

**NOTE:** The anti-splintering position of the shoe can only be used when the blade is in the straight (0° bevel) setting. (Do not cut metal with the shoe in the anti-splintering position.)

### **Bevel Adjustment**

#### **TURN OFF AND UNPLUG SAW.**

To adjust the bevel angle, loosen the screw, as shown in Figure 2 and adjust the bevel left or right as desired using the handy protractor scale stamped in the

shoe. Although this scale is a good reference, we recommend test cutting in scrap material before attempting any finish work.

## **Blade Installation**

### **TURN OFF AND UNPLUG SAW.**

The cutting stroke of your jig saw is canted (angled) slightly forward to produce a faster cut than saws without this feature. The canted stroke will produce a faster cut with all Black & Decker jig saw blades and will produce an even greater rate of cut with the VU-1350 and the V-1351 blades. These blades are canted themselves so that when using them the angle is equal to adding both angles.

To install a blade, loosen the blade clamp screw with a screwdriver, as shown in Figure 3. Insert the saw blade all the way, as shown in the figure, and tighten the screw. To remove the blade, simply loosen the screw.

## **Switch**

### **FOR 7543 SINGLE SPEED JIG SAW**

To turn the saw on, push the slide switch forward, as shown in Figure 4. To turn the tool off, slide the switch back as shown in the figure.

### **FOR 7548 VARIABLE SPEED JIG SAW**

To turn the saw on, push the slide switch forward just far enough so that the saw begins to run. The farther you slide the switch forward, the faster the tool will run.

To turn the saw off, slide the switch back until the tool stops.

## **OPERATION**

### **WOOD CUTTING**

Be sure board is firmly positioned. Hold saw by the handle and operate switch to turn the unit on. **Don't attempt to turn unit on when blade is against material to be cut.** This could stall the motor. Place front of shoe on material to be cut and hold jig saw shoe down firmly against the wood while cutting. Don't force the tool; let the blade cut at its own speed. Whenever possible, clamp or support work close to the line of cut. When the cut is completed, shut off power and lay the saw aside before loosening the work.

**METAL AND PLASTIC CUTTING**

In cutting thin gauge sheet metals, it is best to clamp wood or plywood to the bottom of the metal sheet; this will insure a clean cut without the danger of vibration or tearing of metal. Always remember to use a finer tooth blade for ferrous metals (those that have an iron content); and use a coarser tooth blade for non-ferrous metals (those that do not have an iron content).

Use lower speeds or slow feed rates for cutting metals, plastics and composition tile. When cutting laminated plastic, place the finished side down and use a fine tooth hollow ground blade.

**POCKET CUTTING (SEE FIGURES 5 AND 6)**

A pocket cut is an easy method of making an inside cut. The saw can be inserted directly into a panel or board without first drilling a lead or pilot hole. In pocket cutting, measure the surface to be cut and mark clearly with a pencil. Next tip the saw forward until the front edge of the shoe sits firmly on the work surface. Switch the tool on and allow it to attain maximum speed. Grip the handle firmly and lower the back edge of tool until the blade cuts smoothly into the material. Always be sure blade reaches its complete depth before starting to cut.

**NOTE:** DO NOT ATTEMPT TO POCKET CUT WITH THE SHOE IN THE ANTI-SPLINTERING POSITION.

**RIP AND CIRCLE CUTTING (SEE FIGURES 7, 8 AND 9)**

Ripping and circle cutting without a pencil line are easily done with the accessory rip fence and circle guide (available at extra cost).

The nut and screw shown above are included with this accessory. Position the nut as shown and thread the screw into it just enough to hold the nut loosely in position.

Pull up on the screw and slide the rip fence under the nut from either side of the saw. Set the cross bar at desired distance from blade and tighten screw. For ripping, the cross bar should be down as shown. For circle cutting, the cross bar should be up.

When ripping; insert rip fence in either side of saw; adjust to width of cut and tighten screw. When circle cutting, insert rip fence from either side with cross bar facing up. Adjust rip fence so that distance from blade to hole in cross bar (hole closest to center of arm and in line with front of saw blade) is the desired radius and tighten screw. Place saw so that center of hole in cross bar is over center of circle to be cut (make pocket cut, drill hole for blade or cut inward from edge of material to get blade into position). When saw is properly positioned, drive a

*If you have any questions, call 1-800-54-HOW-TO*

small nail through hole in cross bar closest to the center of the arm (in line with front of saw blade). Using rip fence as a pivot arm, begin cutting circle.

**MAINTENANCE**

Use only mild soap and damp cloth to clean the tool. Never let any liquid get inside the tool; never immerse any part of the tool into a liquid.

**IMPORTANT:** To assure product SAFETY and RELIABILITY, repairs, maintenance and adjustment should be performed by authorized service centers or other qualified service organizations, always using identical replacement parts.

**Accessories**

Recommended accessories for use with your tool are available from your local dealer or authorized service center. If you need assistance regarding accessories, please call: **1-800-54-HOW TO**.

- **⚠ WARNING:** The use of any accessory not recommended for use with this tool could be hazardous.

**Full Two-Year Home Use Warranty**

Black & Decker (U.S.) Inc. warrants this product for two years against any defects in material or workmanship. The defective product will be replaced or repaired at no charge in either of two ways:

The first, which will result in exchanges only, is to return the product to the retailer from whom it was purchased (provided that the store is a participating retailer). Returns should be made within the time period of the retailer's policy for exchanges (usually 30 to 90 days after the sale). Proof of purchase may be required. Please check with the retailer for their specific return policy regarding returns that are beyond the time set for exchanges.

The second option is to take or send the product (prepaid) to a Black & Decker owned or authorized Service Center for repair or replacement at our option. Proof of purchase may be required. Black & Decker owned and authorized service centers are listed under "Tools-Electric" in the yellow pages of the phone directory.

This warranty does not apply to accessories. This warranty gives you specific legal rights and you may have other rights which vary from state to state. Should you have any questions, contact the manager of your nearest Black & Decker Service Center.

This product is not intended for commercial use.

## Service Information

Black & Decker offers a full network of company-owned and authorized service locations throughout North America. All Black & Decker Service Centers are staffed with trained personnel to provide customers with efficient and reliable power tool service.

Whether you need technical advice, repair, or genuine factory replacement parts, contact the Black & Decker location nearest you.

To find your local service location, refer to the yellow page directory under "Tools—Electric" or call: **1-800-54-HOW TO.**

Imported by  
Black & Decker (U.S.) Inc.,  
701 E. Joppa Rd.  
Towson, MD 21286 U.S.A.

See 'Tools-Electric'  
– Yellow Pages –  
for Service & Sales



# GUIDE D'UTILISATION

**1 800 544-6986**

## Scies sauteuses à une vitesse et à régulateur de vitesse

7543, 7548

### RENSEIGNEMENTS IMPORTANTS

- Serrer la vis de fixation de la lame avant de scier. Voir les directives relatives à l'installation de la lame à la page 10.

**CONSERVER LE PRÉSENT  
GUIDE À TITRE DE  
RÉFÉRENCE.**

*Pour obtenir de plus amples  
renseignements, composer le  
**1 800 544-6986.***

 **BLACK & DECKER®**

*Pour obtenir de plus amples renseignements, composer le 1 800 544-6986.*