



## Operating Instructions and Parts Manual AFS-1000B Air Filtration System



**JET**  
427 New Sanford Road  
LaVergne, Tennessee 37086  
Ph.: 800-274-6848  
[www.jettools.com](http://www.jettools.com)

**Part No. M-708620B**  
Revision B2 05/2014  
Copyright © 2014 JET

# Warranty and Service

JET® warrants every product it sells against manufacturers' defects. If one of our tools needs service or repair, please contact Technical Service by calling 1-800-274-6846, 8AM to 5PM CST, Monday through Friday.

## Warranty Period

The general warranty lasts for the time period specified in the literature included with your product or on the official JET branded website.

- JET products carry a limited warranty which varies in duration based upon the product. (See chart below)
- Accessories carry a limited warranty of one year from the date of receipt.
- Consumable items are defined as expendable parts or accessories expected to become inoperable within a reasonable amount of use and are covered by a 90 day limited warranty against manufacturer's defects.

## Who is Covered

This warranty covers only the initial purchaser of the product from the date of delivery.

## What is Covered

This warranty covers any defects in workmanship or materials subject to the limitations stated below. This warranty does not cover failures due directly or indirectly to misuse, abuse, negligence or accidents, normal wear-and-tear, improper repair, alterations or lack of maintenance.

## Warranty Limitations

Woodworking products with a Five Year Warranty that are used for commercial or industrial purposes default to a Two Year Warranty. Please contact Technical Service at 1-800-274-6846 for further clarification.

## How to Get Technical Support

Please contact Technical Service by calling 1-800-274-6846. **Please note that you will be asked to provide proof of initial purchase when calling.** If a product requires further inspection, the Technical Service representative will explain and assist with any additional action needed. JET has Authorized Service Centers located throughout the United States. For the name of an Authorized Service Center in your area call 1-800-274-6846 or use the Service Center Locator on the JET website.

## More Information

JET is constantly adding new products. For complete, up-to-date product information, check with your local distributor or visit the JET website.

## How State Law Applies

This warranty gives you specific legal rights, subject to applicable state law.

## Limitations on This Warranty

JET LIMITS ALL IMPLIED WARRANTIES TO THE PERIOD OF THE LIMITED WARRANTY FOR EACH PRODUCT. EXCEPT AS STATED HEREIN, ANY IMPLIED WARRANTIES OF MERCHANTABILITY AND FITNESS FOR A PARTICULAR PURPOSE ARE EXCLUDED. SOME STATES DO NOT ALLOW LIMITATIONS ON HOW LONG AN IMPLIED WARRANTY LASTS, SO THE ABOVE LIMITATION MAY NOT APPLY TO YOU.

JET SHALL IN NO EVENT BE LIABLE FOR DEATH, INJURIES TO PERSONS OR PROPERTY, OR FOR INCIDENTAL, CONTINGENT, SPECIAL, OR CONSEQUENTIAL DAMAGES ARISING FROM THE USE OF OUR PRODUCTS. SOME STATES DO NOT ALLOW THE EXCLUSION OR LIMITATION OF INCIDENTAL OR CONSEQUENTIAL DAMAGES, SO THE ABOVE LIMITATION OR EXCLUSION MAY NOT APPLY TO YOU.

JET sells through distributors only. The specifications listed in JET printed materials and on official JET website are given as general information and are not binding. JET reserves the right to effect at any time, without prior notice, those alterations to parts, fittings, and accessory equipment which they may deem necessary for any reason whatsoever. JET® branded products are not sold in Canada by JPW Industries, Inc.

## Product Listing with Warranty Period

90 Days – Parts; Consumable items; Light-Duty Air Tools
1 Year – Motors; Machine Accessories; Heavy-Duty Air Tools; Pro-Duty Air Tools
2 Year – Metalworking Machinery; Electric Hoists, Electric Hoist Accessories
5 Year – Woodworking Machinery
Limited Lifetime – JET Parallel clamps; VOLT Series Electric Hoists; Manual Hoists; Manual Hoist Accessories; Shop Tools; Warehouse & Dock products; Hand Tools

NOTE: JET is a division of JPW Industries, Inc. References in this document to JET also apply to JPW Industries, Inc., or any of its successors in interest to the JET brand.

# Table of Contents

Warranty and Service.....	2
Table of Contents.....	3
Electrical Requirements .....	5
Specifications .....	6
For Your Own Safety.....	6
Contents of Shipping Carton .....	7
Tools Required for Assembly .....	7
Assembly.....	7
Controls and Features.....	8
Changing the Filters .....	9
Replacement Parts.....	10
Parts List for the AFS-1000B Air Filtration System .....	11
AFS-1000B Wiring Diagram .....	12



# Warnings

1. **FOR YOUR OWN SAFETY, READ INSTRUCTION MANUAL BEFORE OPERATING THE TOOL.** Learn the tool's application and limitations as well as the specific hazards peculiar to it.
2. **KEEP GUARDS IN PLACE** and in working order.
3. **ALWAYS WEAR EYE PROTECTION.**
4. **GROUND ALL TOOLS.** If tool is equipped with three prong plug, it should be plugged into a three-hole electrical receptacle. If an adapter is used to accommodate a two prong receptacle, the adapter lug must be attached to a known ground. Never remove the third prong.
5. **KEEP WORK AREA CLEAN.** Cluttered areas and benches invite accidents.
6. **DON'T USE IN DANGEROUS ENVIRONMENT.** Don't use power tools in damp or wet locations, or expose them to rain. Keep work area well-lighted.
7. **KEEP CHILDREN AND VISITORS AWAY.** All children and visitors should be kept a safe distance from work area.
8. **MAKE WORKSHOP CHILDPROOF.** Use padlocks, master switches, or remove starter keys.
9. **DON'T FORCE TOOL.** It will do the job better and be safer at the rate for which it was designed.
10. **USE RIGHT TOOL.** Don't force tool or attachment to do a job for which it was not designed.
11. **WEAR PROPER APPAREL.** No loose clothing, gloves, neckties, rings, bracelets, or other jewelry to get caught in moving parts. Nonslip footwear is recommended. Wear protective hair covering to contain long hair.
12. **ALWAYS USE SAFETY GLASSES.** Wear safety glasses (must comply with ANSI Z87.1). Everyday eyeglasses only have impact resistant lenses; they are not safety glasses. Also use face or dust mask if cutting operation is dusty.
13. **SECURE WORK.** Use clamps or a vise to hold work when practical. It's safer than using your hands and frees both hands to operate tool.
14. **DON'T OVERREACH.** Keep proper footing and balance at all times.
15. **MAINTAIN TOOLS IN TOP CONDITION.** Keep tools sharp and clean for best and safest performance. Follow instructions for lubricating and changing accessories.
16. **DISCONNECT TOOLS** before servicing and when filters.
17. **USE RECOMMENDED ACCESSORIES.** The use of accessories and attachments not recommended by manufacturer may cause hazards or risk of injury to persons.
18. **AVOID ACCIDENTAL STARTING.** Make sure switch is in "OFF" position before plugging in power cord.
19. **NEVER STAND ON TOOL.** Serious injury could occur if the tool is tipped or if the fan blade is accidentally contacted.
20. **CHECK DAMAGED PARTS.** Before further use of the tool, a guard or other part that is damaged should be carefully checked to ensure that it will operate properly and perform its intended function-check for alignment of moving parts, binding of moving parts, breakage of parts, mounting, and any other conditions that may affect its operation. A guard or other part that is damaged should be properly repaired or replaced.
21. **NEVER LEAVE TOOL RUNNING UNATTENDED. TURN POWER OFF.** Don't leave tool until it comes to a complete stop.
22. **DRUGS, ALCOHOL, MEDICATION.** Do not operate tool while under the influence of drugs, alcohol or any medication.
23. **MAKE SURE TOOL IS DISCONNECTED FROM POWER SUPPLY** while motor is being mounted, connected or reconnected
24. **WARNING:** Some dust created by power sanding, sawing, grinding, drilling and other construction activities contains chemicals known to cause cancer, birth defects or other reproductive harm. Some examples of these chemicals are:
  - Lead from lead based paint
  - Crystalline silica from bricks and cement and other masonry products, and
  - Arsenic and chromium from chemically-treated lumber.Your risk from those exposures varies, depending on how often you do this type of work. To reduce your exposure to these chemicals: work in a well ventilated area, and work with approved safety equipment, such as those dust masks that are specifically designed to filter out microscopic particles.

# Electrical Requirements

In the event of a malfunction or breakdown, grounding provides a path of least resistance for electric current to reduce the risk of electric shock. This tool is equipped with an electric cord having an equipment-grounding conductor and a grounding plug. The plug must be plugged into a matching outlet that is properly installed and grounded in accordance with all local codes and ordinances.

Do not modify the plug provided. If it will not fit the outlet, have the proper outlet installed by a qualified electrician.

Improper connection of the equipment-grounding conductor can result in a risk of electric shock. The conductor, with insulation having an outer surface that is green with or without yellow stripes, is the equipment-grounding conductor. If repair or replacement of the electric cord or plug is necessary, do not connect the equipment-grounding conductor to a live terminal.

Check with a qualified electrician or service personnel if the grounding instructions are not completely understood, or if in doubt as to whether the tool is properly grounded.

Use only three wire extension cords that have three-prong grounding plugs and three-pole receptacles that accept the tool's plug.\*

Repair or replace a damaged or worn cord immediately.

This tool is intended for use on a circuit that has an outlet that looks the one illustrated in Figure A below. The tool has a grounding plug that looks like the grounding plug as illustrated in Figure A below. A temporary adapter, which looks like the adapter as illustrated in Figures B below, may be used to connect this plug to a two-pole receptacle, as shown in Figure B if a properly grounded outlet is not available.\*\* The temporary adapter should only be used until a properly grounded outlet can be installed by a qualified electrician. The green colored rigid ear or tab, extending from the adapter, must be connected to a permanent ground such as a properly grounded outlet box.

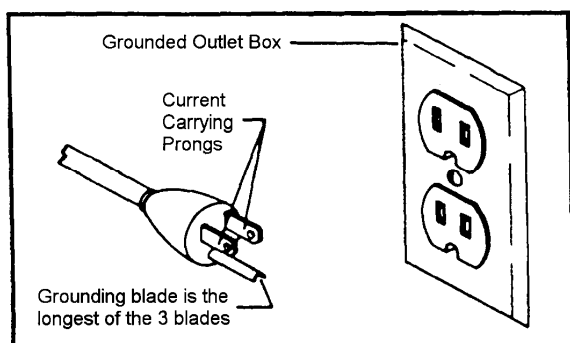


Fig. A

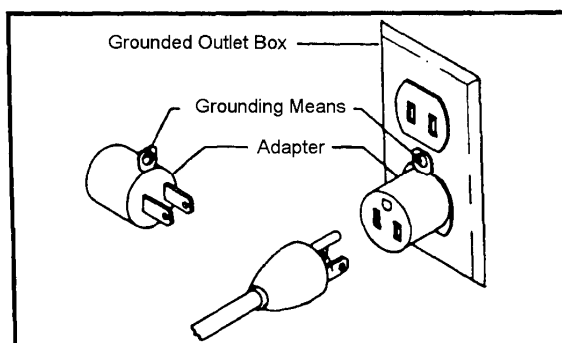


Fig. B

\* Canadian electrical codes require extension cords to be certified SJT type or better.

\*\* Use of an adapter in Canada is not acceptable.

# Specifications

Model Number .....	AFS-1000B
Stock Number .....	708620B
Outer Filter .....	5 Microns
Inner Filter .....	1 Micron
Overall Dimensions (LxWxH/in) .....	30-1/4 x 24-1/8 x 12-1/8
Sound Rating @ 3ft.....	High Speed 69 dB
.....	Medium Speed 67 dB
.....	Low Speed 62 dB
Air Flow .....	High Speed 1044 CFM
.....	Medium Speed 702 CFM
.....	Low Speed 556 CFM
Filter Cycle (min.) .....	3.06
Cycles per Hour (20'x20'x8') .....	19.58
Motor .....	1/5 HP, 115V, 60Hz, 1 PH, 6P, 4.5A
Net Weight .....	54 lbs.
Shipping Weight .....	61 lbs.

## For Your Own Safety

1. Read and understand instruction manual before installing or operating air cleaner.
2. To reduce the risk of injury disconnect the air cleaner from the power source (unplug) before servicing or changing filters.
3. If ceiling mounted, bottom of air cleaner must be at least 7 feet above the floor.
4. If ceiling mounted, mounts must be anchored to building structure which will support a minimum of at least 100 pounds. Never mount to surfaces such as dry wall or false ceiling grids, etc.
5. To reduce the risk of electrical shock, do not expose air cleaner to water or rain.
6. Never duct a machine directly into the air cleaner.
7. To avoid a potentially dangerous situation, do not use this equipment to filter flammable vapors or smoke. This air cleaner is designed and intended for the filtration of air borne wood dust only. It is neither designed nor intended for any other purpose whatsoever.
8. Failure to comply may result in serious injury and / or property damage.

The above specifications were current at the time this manual was published, but because of our policy of continuous improvement, JET reserves the right to change specifications at any time and without prior notice, without incurring obligations.

## Contents of Shipping Carton

- 1 Air Filtration Unit
- 1 Remote Control
- 3 AAA Batteries
- 4 Eye Bolts and Nuts
- 4 Mounting Brackets
- 8 Hex Cap Screws
- 8 Lock Washers
- 4 Foam Pads
- 1 Velcro Pad
- 1 Manual and Warranty Card



## Tools Required for Assembly

- No. 2 Cross Point Screwdriver
- 10mm Wrench

- The air filtration unit does not require much assembly. You should take into consideration how and where you will place this unit.
- It can be mounted horizontally and vertically. The unit can also be hung from the ceiling.
- This unit will work best if it is located away from corners, and heating/cooling vents.
- If using on sawhorses the air filtration unit should be clamped in place.
- This unit is specifically designed to circulate and filter non-metallic dust, which is generated throughout the work area.

## Assembly

**CAUTION** Mounts must be anchored to building structure, which will support a minimum of at least 100 pounds. Never mount to surfaces such as dry wall, false ceiling grids, etc.

1. Remove all packing from inside of the unit by removing the outer filter and inner filters.
2. The air filtration unit can be hung from the ceiling. Remove four screws from the cabinet top (A, Fig. 1).
3. Hang the unit using four eyebolts (B, Fig. 1), and four hex nuts (C, Fig. 1) provided.

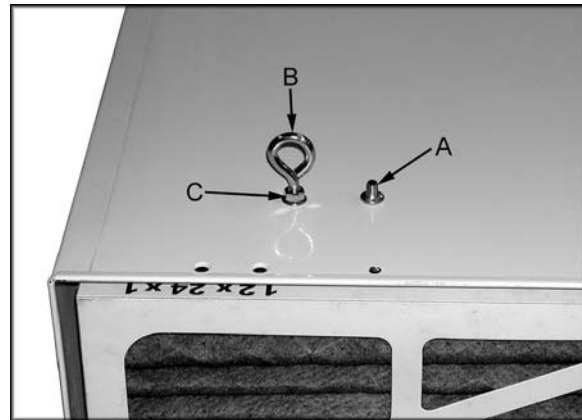


Figure 1

- The lock nut needs to be threaded almost all the way up the eyebolt. Screw the eye bolt into the hole and tighten lock nut against the cabinet top. You will need to hold the eyebolt so it does not spin while tightening the lock nut.
- Repeat steps for remaining three eyebolts.

**Note:** Make sure chain and ceiling hooks are properly rated for hanging this unit. Hang unit with a seven-foot clearance from the floor.

Figure 3 shows the mounting hole centers.

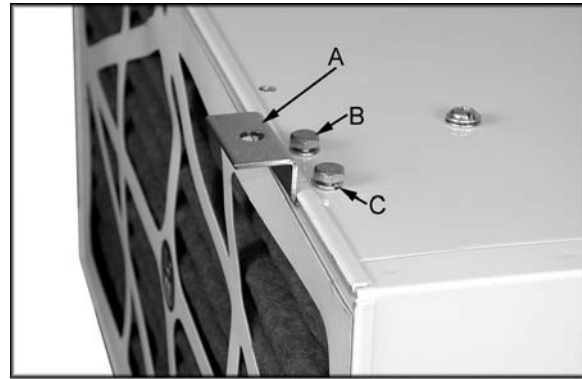


Figure 2

**CAUTION** Mounts must be anchored to building structure, which will support a minimum of at least 100 pounds. Never mount to surfaces such as dry wall or false ceiling grids, etc.

Four brackets can also be used for mounting to the ceiling, or wall:

- Place one end of bracket underneath the lip of the cabinet.
- Attach the bracket (A, Fig. 2) with two hex cap screws (B, Fig. 2) and two lock washers (C, Fig. 2).
- Repeat steps for remaining three brackets.
- Peel off the paper backing from the foam pads, and stick the pads to the bottom side of the machine's four corners.

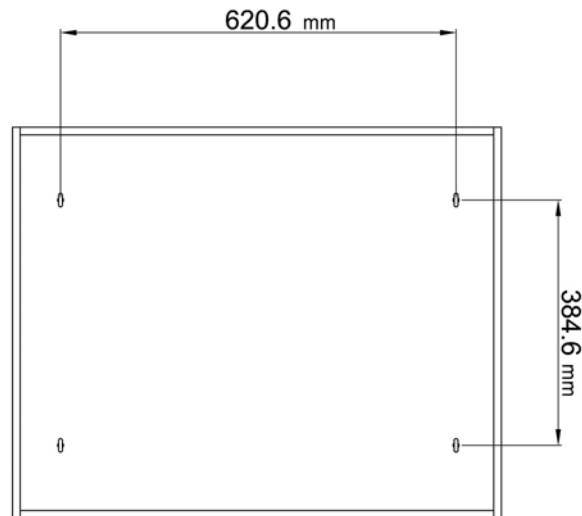


Figure 3

## Controls and Features

### Remote Control:

**Time** button (A, Fig. 4) controls the three different settings.

**2H** will light up on the back of the unit with one press of the time button. The air filtration system will operate for 2 hours then shut off.

**4H** will light up on the back of the unit by pressing the time button twice. The air filtration system will operate for 4 hours then shut off.

**8H** will light up on the back of the unit by pressing the time button three times. The air filtration system will operate for 8 hours then shut off.

**Speed** button (B, Fig. 4) controls the three different settings, Low, Medium and High. There is also a manual button (A, Fig. 5) on the backside of this unit which controls the speed.

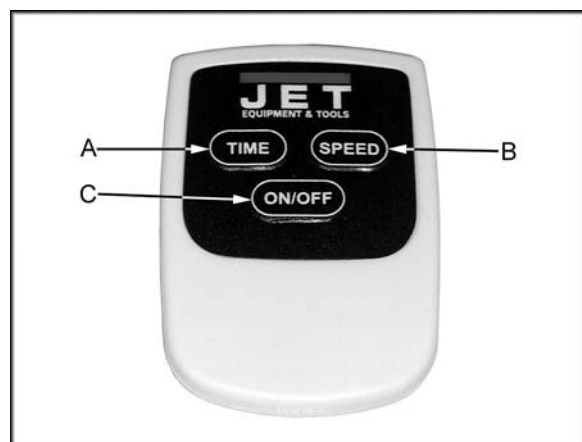


Figure 4



**On/Off** button (C, Fig. 4) turns the unit on and off. There is also a manual on/off button (B, Fig. 5) on the backside of the unit. Pressing this button will turn the machine on Low.

**Fuse** switch (C, Fig. 5) will pop out in the case of overload. Wait 3-5 minutes and push the fuse in.

## Changing the Filters

**WARNING** To reduce the risk of injury, disconnect the air cleaner from the power source (unplug) before servicing or changing filters. Failure to comply may cause serious injury!

There are two filters that need to be changed. The outer filter can easily be removed by disengaging the two clips (A, Fig. 7).

Now you can simply pull the filter out, or use a screwdriver to pop the filter out.

The inner filter (A, Fig. 7) can now be pulled out of the unit. The inner filter can be blown out with compressed air.

The filters should be replaced depending on the amount of usage and the environment of your shop. Clogged filters will reduce the amount of air circulation. There is an arrow indicating the air flow direction on the outer filter. Make sure the filter is inserted facing the proper direction.

## Replacement Filters

- 708731 electrostatic outer filter
- 708732 washable electrostatic outer filter
- 708733 inner filter
- 708734 charcoal filter



Figure 5

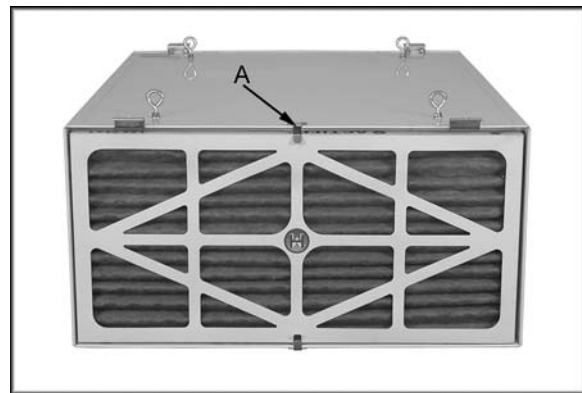


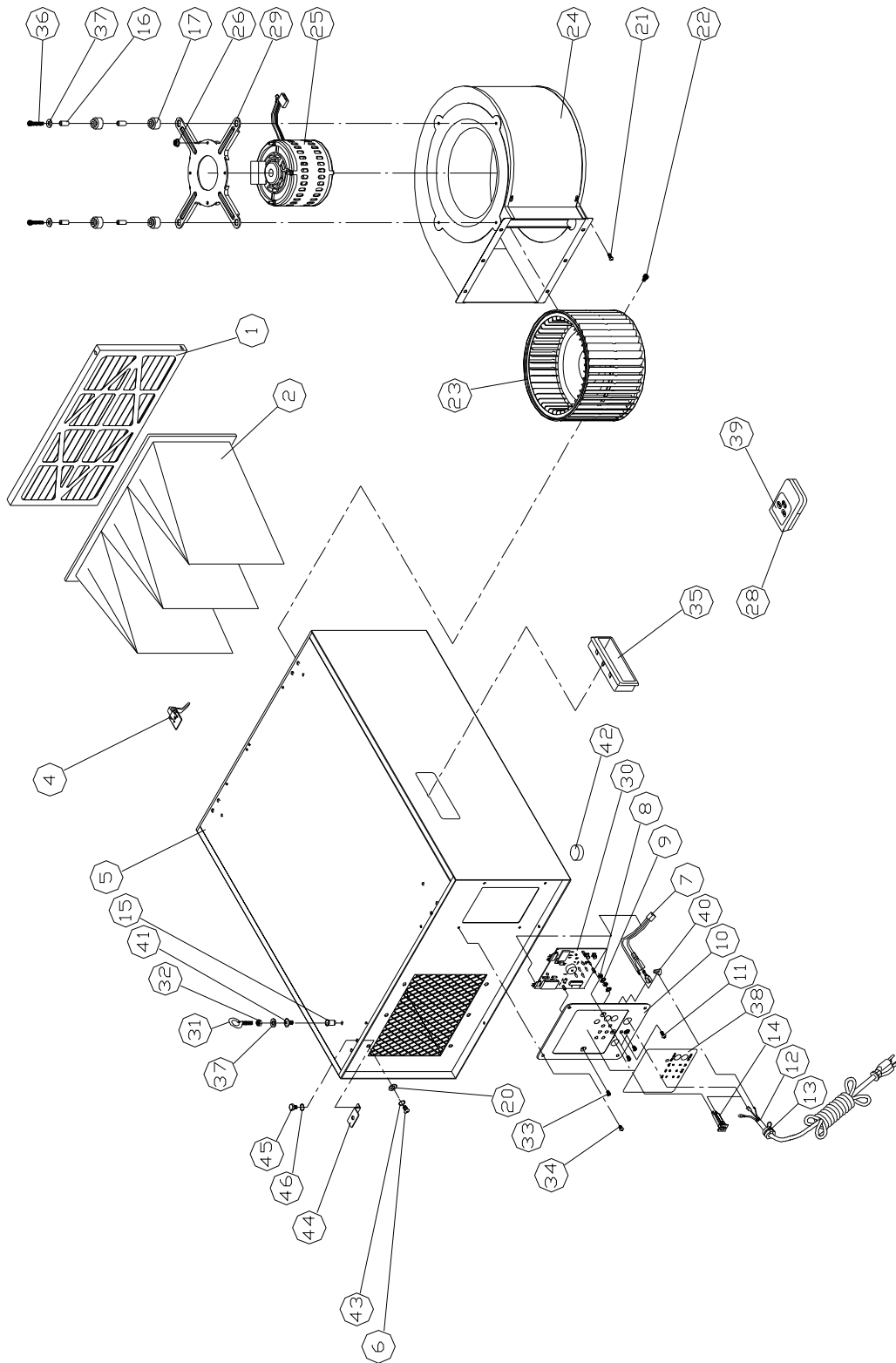
Figure 6



Figure 7

# Replacement Parts

To order parts or reach our service department, call 1-800-274-6848, Monday through Friday (see our website for business hours, [www.jettools.com](http://www.jettools.com)). Having the Model Number and Serial Number of your machine available when you call will allow us to serve you quickly and accurately.



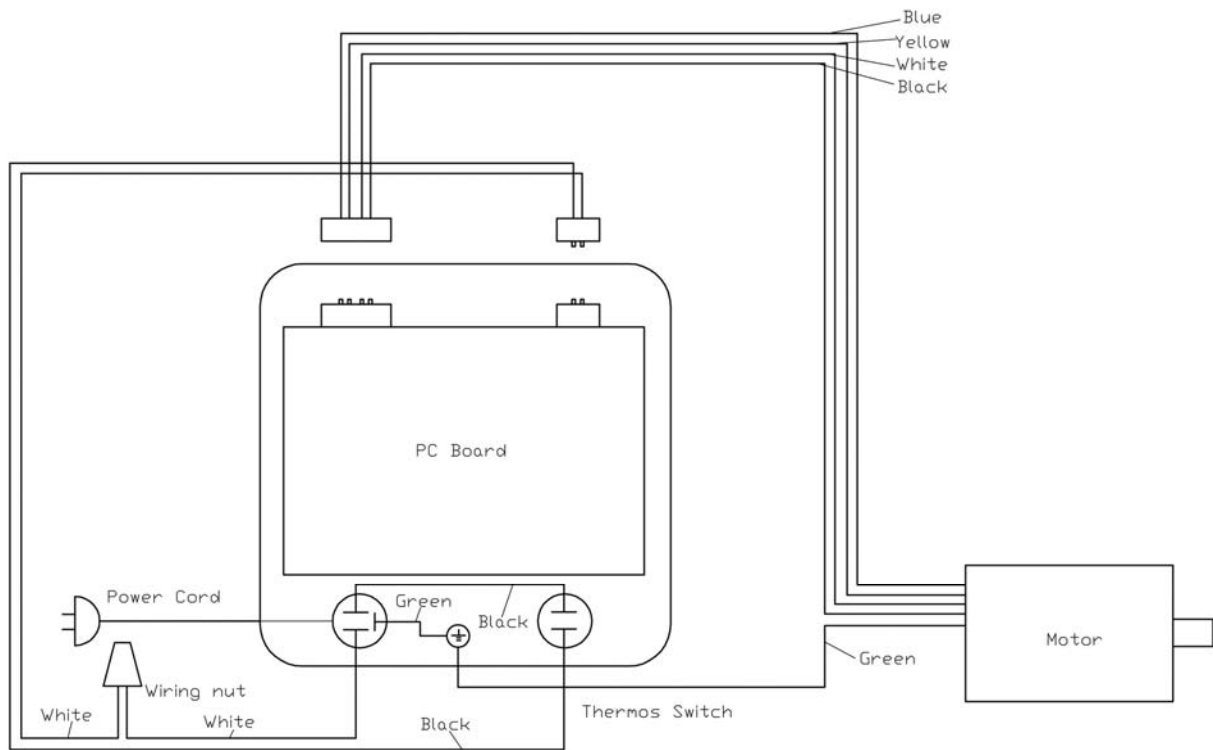
## Parts List for the AFS-1000B Air Filtration System

Index No.	Part No.	Description	Size	Qty
1	708731	Electrostatic Outer Filter		1
2	708733	Inner Three-Pocket Filter		1
4	AB001008	Door Clip Set		2
5	AB001108W	Air Box		1
6	SJ069300	Pan Head Bolt	M6x12	6
7	OO1033	Switch Wire w/Terminal		1
8	NH050800	Nut	M5	2
9	WE050000	Star Washer	M5	2
10	OO1022W	Switch Plate		1
	AB001022W	Switch Plate Set (assembly not shown)		
11	SP059300	Pan Head Bolt	M5x12	1
12	IC001015	Electric Wire		1
13	998623	Strain Relief		1
14	330075	5A Thermos Switch		1
15	10042	Nut	M6	4
16	330006	Sleeve		4
17	330005	Spacer		4
20	WF061310	Flat Washer	M6	6
21	ST049200	Tapping Screw	M4x8	2
22	SR089400	Hex Socket Bolt	M8x16	1
23	OO1055	Fan Blade		1
24	OO1056	Fan Housing		1
25	OO1057	Motor		1
	CA001000B	Capacitor (not shown)		1
26	NF050800	Nut	M5	4
28	708711	Remote Control		1
29	330004	Flange		1
30	330043	PC Board		1
31	OO1023	Eye Bolt		4
32	NH061000	Nut	M6	4
33	SN490200	Counter Sunk Bolt	1/8"x1/4"	3
34	SP049100	Pan Head Bolt	M4x6	4
35	OO1029	Concave Handle		2
36	SR060600	Hex Socket Bolt	M6x30	4
37	WF061620	Washer	M6x16	8
38	LM000513	I.D. Label		1
39	LM000344	Remote Label		1
40	990638	Wiring Nut	P2	1
41	SF069200	Rivet Nut	M6x8	4
42	330074	Pad		4
43	TS-1551041	Spring Washer	M6	6
44	OO1027	Hanger Plate		4
45	SH069200	Hex Head Bolt	M6x8	8
46	TS-1551041	Spring Washer	M6	8
	OO1045	Color Stripe (not shown)		1
	AH001103	Hardware Kit (includes index # 28,31,32,37,42)		1
	LM000280	JET Air Filtration I.D. Label (not shown: side of cabinet)		2
	LM000210	Warning Label (not shown)		1

### Replacement Filters:

.....	708731	Electrostatic Outer Filter
.....	708732	Washable Electrostatic Outer Filter
.....	708733	Inner Three-Pocket Filter
.....	708734	Charcoal Filter

# AFS-1000B Wiring Diagram



**J E T**

427 New Sanford Road  
LaVergne, Tennessee 37086  
Phone: 800-274-6848  
[www.jettools.com](http://www.jettools.com)