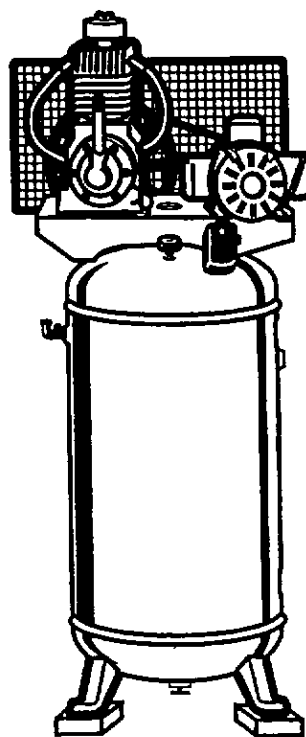
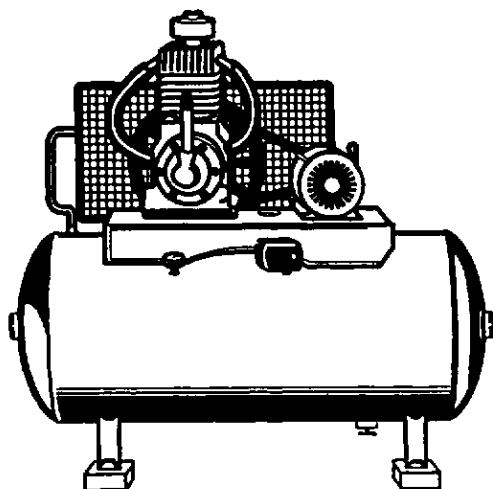


Please read and save this Replacement Parts Manual. Read this manual and the General Operating Instructions carefully before attempting to assemble, install, operate or maintain the product described. Protect yourself and others by observing all safety information. The Safety Instructions are contained in the General Operating Instructions. Failure to comply with the safety instructions accompanying this product could result in personal injury and/or property damage! Retain instructions for future reference.

Speedaire® Two-Stage Air Compressors

Refer to Form 5S3716 for General Operating and Safety Instructions

Cast Iron Series



Factory Mounted Magnetic Starter



MODELS
3JR80
5Z637A
5Z638A
5Z639A

Specifications

Oil Capacity HP	Qty.	Max. Working Pressure
5.0	2 Qt.	175 PSI
7.5	2 Qt.	175

Model	HP	Volts, Phase	Amp Draw	Max. Duty Cycle	Free Air CFM @ 175 PSI	Tank Cap (Gal.)	Tank Outlet (F) NPT	Dimensions		
								L	W	H
3JR80	7½	230, 3	19.4	75/25	25.1	80 Vert	¾"	33"	25"	81½"
5F229B	5	208-230, 1	24-23	75/25	17.1	80 Vert	¾"	33	25	81½"
5F231B		208-230/460, 3	15.5-14.8/7.4					33	25	81½"
5F563	7½	230, 1	30	75/25	25.1	80 Vert	¾"	33	25	81½"
5F565		230/460, 3	19.4/9.7					33	25	81½"
5Z397B	5	208-230, 1	24-23	75/25	17.1	80 Vert	¾"	33	25	79
5Z398B		208-230, 1	24-23			80 Horiz		68	23	51
5Z399B		208-230/460, 3	15.5-14.8/7.4			80 Vert		33	25	79
5Z400B		208-230/460, 3	15.5-14.8/7.4			80 Horiz		68	23	51
5Z637A	5	230, 1	23	75/25	17.1	80 Vert	¾"	33	25	79
5Z638A	5	230, 3	14.8			80 Vert		33	25	79
5Z639A	7½	230, 1	30			80 Vert		33	25	81½"
9H805	7½	575, 3	7.6	75/25	25.1	80 Vert	¾"	33	25	81½"
9H806	5		5.76			17.1		80 Horiz	68	23

E
N
G
L
I
S
H

E
S
P
A
Ñ
O
L

F
R
A
N
C
A
I
S

For Replacement Parts, call 1-800-323-0620

1 hours a day - 365 days a year

E
N
G
L
I
S
H

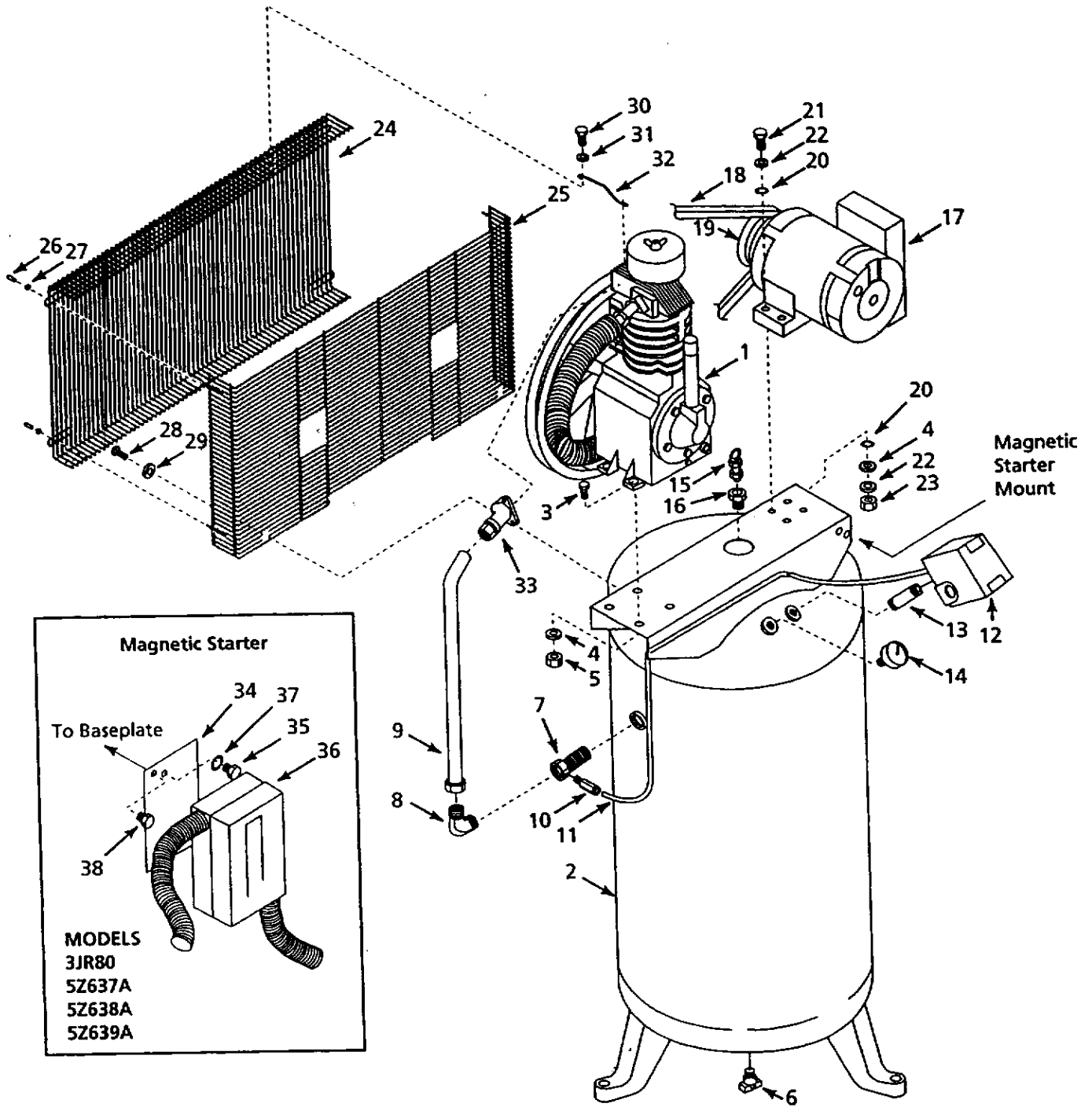


Figure 1 - Replacement Parts Illustration for Models 3JR80, 5Z637A, 5Z638A, 5Z639A, 5F229B and 5F231B

Replacement Parts List

Please provide following information:

- Model number
- Serial number (if any)
- Part description and number as shown in parts list

Address parts correspondence to:

Grainger Parts Operations
 P.O. Box 3074
 1657 Shermer Road
 Northbrook, IL 60065-3074 U.S.A.

ENGLISH

Ref. No.	Description	Part Number For Models:			Qty.
		3JR80 5Z639A	5Z637A 5Z638A	5F229B 5F231B	
1	Air compressor pump	◆ 5F566	◆ 5Z404	◆ 5F235	1
2	Tank	5Z365	5Z365	5Z365	1
3	7/16-14 x 1 1/2" Hex head screw	ST070645AV	ST070645AV	ST070645AV	4
4	7/16" Washer	ST070916AV	ST070916AV	ST070916AV	8
5	7/16"-14 Hex nut	ST070729AV	ST070729AV	ST070729AV	4
6	3/8" NPT Drain cock	ST127700AV	ST127700AV	ST127700AV	1
7	3/4" Check valve	CV003205AV	CV003205AV	CV003205AV	1
8	90° Compression fitting	ST072231AV	ST072231AV	ST072231AV	1
9	Discharge Tube	TF061500AP	TF061500AP	TF061500AP	1
10	1/4" Compression fitting	ST011701AV	ST011701AV	ST011701AV	1
11	Copper tube	R-060600AY	R-060600AY	R-060600AY	2 ft.
12	† 145/175 Pressure switch	CW207561AV	CW207561AV	CW207561AV	1
13	1/4-18 x 2 1/2" Pipe nipple	ST070387AV	ST070387AV	ST070387AV	1
14	1/4" NPT, 300 PSI pressure gauge	GA016703AV	GA016703AV	GA016703AV	1
15	Safety valve	V-215200AV	V-215200AV	V-215200AV	1
16	1/2 x 1/4" Reducer bushing	ST071428AV	ST071428AV	ST071428AV	1
17	1 phase Motor (5Z637A, 5Z639A, 5F229B) 3 phase Motor (3JR80, 5Z638A, 5F231B)	MC301521AV MC301500AV	MC022393AV MC022394AV	MC022393AV MC022394AV	1 1
18	Belt	BT008500AV	BT022000AV	BT022000AV	1
19	Pulley	PU009750AV	PU008003AV	PU008003AV	1
20	3/8" External tooth lockwasher	ST072608AV	ST072608AV	ST072608AV	2
21	3/8-16 x 1 1/4" Screw	ST070638AV	ST070638AV	ST070638AV	4
22	3/8" Washer	ST070914AV	ST070914AV	ST070914AV	8
23	3/8"-16 Nut	ST033500AV	ST033500AV	ST033500AV	4
24	Belt guard front	BG217000AJ	BG217000AJ	BG217000AJ	1
25	Belt guard back	BG217100AJ	BG217100AJ	BG217100AJ	1
26	Safety cap	ST075400AV	ST075400AV	ST075400AV	5
27	10-24 Hex flange nut	ST116201AV	ST116201AV	ST116201AV	5
28	5/16-12 x 3/4" Self tapping screw	ST016500AV	ST016500AV	ST016500AV	2
29	5/16" Washer	ST011200AV	ST011200AV	ST011200AV	2
30	1/4-20 x 5/8" Bolt	ST074415AV	ST074415AV	ST074415AV	1
31	1/4" Washer	ST000600AV	ST000600AV	ST000600AV	1
32	Belt guard bracket	TF063400AV	TF063400AV	TF063400AV	1
33	Tube fitting	TF060402AJ	TF060402AJ	TF060402AJ	1
34	Mounting plate	BG215300AV	BG215300AV	—	1
35	5/16-12 x 3/4" Screw	ST016500AV	ST016500AV	—	2
36	1 phase Magnetic starter (5Z639A, 5Z637A) 3 phase Magnetic starter (3JR80, 5Z638A)	ST122010AJ ST122011AJ	ST122001AJ ST122003AJ	— —	1 1
37	5/16" External tooth washer	ST146800AV	ST146800AV	—	2
38	8-32 x 7/16" Hex screw	ST074407AV	ST074407AV	—	4
Δ	Caution Decal	DK306720AJ	DK306720AJ	DK306720AJ	1
Δ	Warning Decal	DK326400AV	DK326400AV	DK326400AV	1

(Δ) Not shown.

(†) Unloader valve available separately, Part Number CW000200AV.

(◆) When ordering pump replacement parts, see compressor nameplate for exact model number.

For Replacement Parts, call 1-800-323-0620

1 hours a day - 365 days a year

**E
N
G
L
I
S
H**

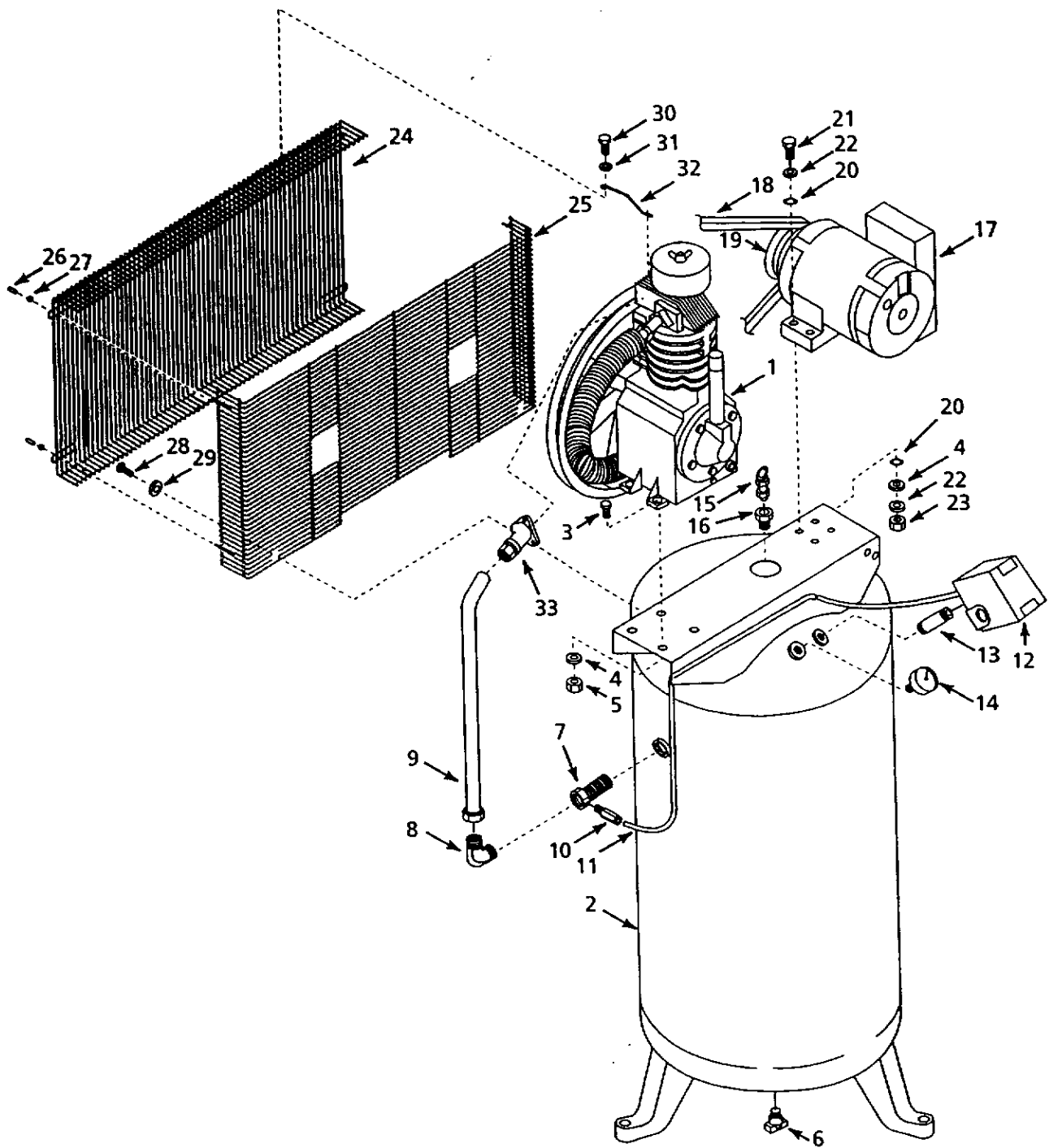


Figure 2 - Replacement Parts Illustration for Models 5F563, 5F565, 5Z397B, 5Z399B and 9H805

Replacement Parts List

Please provide following information:

- Model number
- Serial number (if any)
- Part description and number as shown in parts list

Address parts correspondence to:

Grainger Parts Operations
P.O. Box 3074
1657 Shermer Road
Northbrook, IL 60065-3074 U.S.A.

Ref. No.	Description	Part Number For Models:			Qty
		SF563 5F565	5Z397B 5Z399B	9H805	
1	Air compressor pump	◆ 5Z566	◆ 5Z404	◆ 5F566	1
2	Tank	5Z365	5Z365	5Z365	1
3	7/16-14 x 1 1/2" Hex head screw	ST070645AV	ST070645AV	ST070645AV	4
4	7/16" Washer	ST070916AV	ST070916AV	ST070916AV	8
5	7/16"-14 Hex nut	ST070729AV	ST070729AV	ST070729AV	4
6	3/8" NPT Drain cock	ST127700AV	ST127700AV	ST127700AV	1
7	3/4" Check valve	CV003205AV	CV003205AV	CV003205AV	1
8	90° Compression fitting	ST072231AV	ST072231AV	ST072231AV	1
9	Discharge tube	TF061500AP	TF061500AP	TF061500AP	1
10	1/4" Compression fitting	ST011701AV	ST011701AV	ST011701AV	1
11	Copper tube	R-060600AY	R-060600AY	R-060600AY	2 ft.
12	† 145/175 Pressure switch	CW207561AV	CW207561AV	CW207561AV	1
13	1/4-18 x 2 1/2" Pipe nipple	ST070387AV	ST070387AV	ST070387AV	1
14	1/4" NPT, 300 PSI pressure gauge	GA016703AV	GA016703AV	GA016703AV	1
15	Safety valve	V-215200AV	V-215200AV	V-215200AV	1
16	1/2 x 1/4" Reducer bushing	ST071428AV	ST071428AV	ST071428AV	1
17	1 phase Motor (5F563, 5Z397B)	MC301521AV	MC022393AV	—	1
	3 phase Motor (5F565, 5Z399B, 9H805)	MC301500AV	MC022394AV	MC301523AV	1
18	Belt	BT008500AV	BT022000AV	BT008500AV	1
19	Pulley	PU009750AV	PU008003AV	PU009750AV	1
20	3/8" External tooth washer	ST072608AV	ST072608AV	ST072608AV	2
21	3/8-16 x 1 1/4" Screw	ST070638AV	ST070638AV	ST070638AV	4
22	3/8" Washer	ST070914AV	ST070914AV	ST070914AV	8
23	3/8"-16 Nut	ST033500AV	ST033500AV	ST033500AV	4
24	Belt guard front	BG217000AJ	BG217000AJ	BG217000AJ	1
25	Belt guard back	BG217100AJ	BG217100AJ	BG217100AJ	1
26	Safety cap	ST075400AV	ST075400AV	ST075400AV	4
27	10-24 Hex flange nut	ST116201AV	ST116201AV	ST116201AV	4
28	5/16-12 x 3/4" Self tapping screw	ST016500AV	ST016500AV	ST016500AV	2
29	5/16" Washer	ST011200AV	ST011200AV	ST011200AV	2
30	1/4-20 x 5/8" Bolt	ST074415AV	ST074415AV	ST074415AV	1
31	1/4" Washer	ST000600AV	ST000600AV	ST000600AV	1
32	Belt guard bracket	TF063400AV	TF063400AV	TF063400AV	1
33	Tube fitting	TF060402AJ	TF060402AJ	TF060402AJ	1
Δ	Caution Decal	DK306720AJ	DK306720AJ	DK306720AJ	1
Δ	Warning Decal	DK326400AV	DK326400AV	DK326400AV	1

(Δ) Not shown.

(†) Unloader valve available separately, Part Number CW000200AV.

(◆) When ordering pump replacement parts, see compressor nameplate for exact model number.

SPEEDAIRE
A GRANGER COMPANY

For Replacement Parts, call 1-800-323-0620
 hours a day - 365 days a year

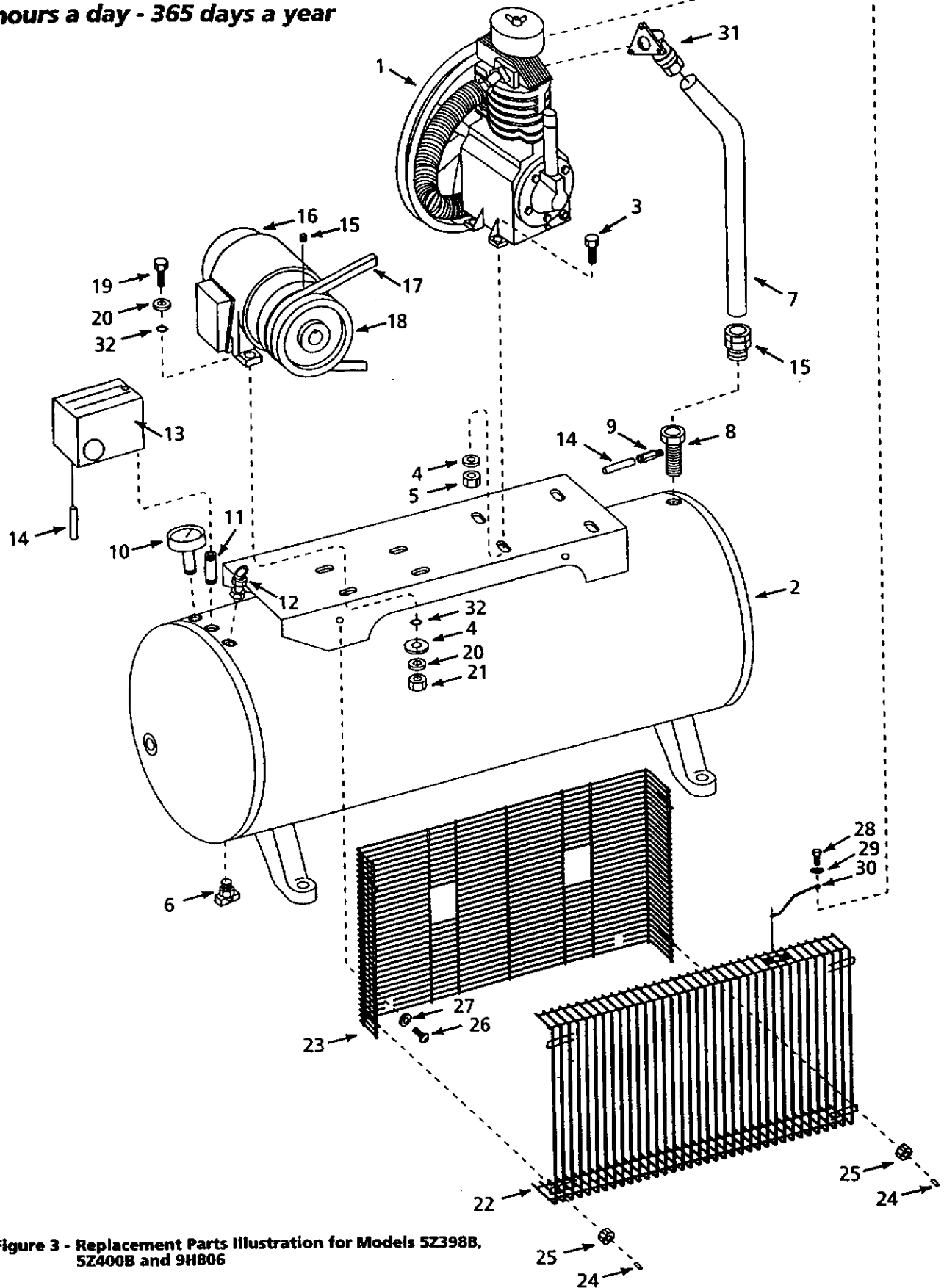


Figure 3 - Replacement Parts Illustration for Models 5Z398B, 5Z400B and 9H806

Replacement Parts List

Please provide following information:

- Model number
- Serial number (if any)
- Part description and number as shown in parts list

Address parts correspondence to:

Grainger Parts Operations
P.O. Box 3074
1657 Shermer Road
Northbrook, IL 60065-3074 U.S.A.

Reference Number	Description	Part Number For Models: 5Z398B, 5Z400B & 9H806	Qty.
1	Air compressor pump	◆ 5Z404	1
2	Tank	5Z361	1
3	7/16-14 x 1 1/2" Hex head screw	ST070645AV	4
4	7/16" Washer	ST070916AV	8
5	7/16"-14 Hex nut	ST070729AV	4
6	3/8" NPT Drain cock	ST127700AV	1
7	Discharge tube	TF063501AP	1
8	3/4" Check valve	CV003404AV	1
9	1/4" Compression fitting	ST011701AV	1
10	1/4" NPT, 300 PSI pressure gauge	GA016703AV	1
11	1/4-18 x 2 1/2" Pipe nipple	ST070387AV	1
12	Safety valve	V-215200AV	1
13	† Pressure switch, 145/175	CW207561AV	1
14	Copper tube	R060600AY	1.5 ft.
15	Compression nut with ferrule	ST072321AV	1
16	Motor, 5 HP, 1 phase (Model 5Z398B only)	MC022393AV	1
	Motor, 5 HP, 3 phase 208-230/460 volt (Model 5Z400 only)	MC022394AV	1
	Motor, 5 HP, 3 phase 575 volt (Model 9H806 only)	MC301522AV	1
17	Belt	BT022000AV	1
18	Pulley	PU008003AV	1
19	3/8-16 x 1 1/4" Screw	ST070638AV	4
20	3/8" Washer	ST070914AV	8
21	3/8"-16 Nut	ST033500AV	4
22	Belt guard front	BG217000AJ	1
23	Belt guard back	BG217100AJ	1
24	Safety cap	ST075400AV	5
25	#10-24 Nut	ST116201AV	5
26	5/16-12 x 3/4" Self-thread screw	ST016500AV	2
27	5/16" Washer	ST011200AV	2
28	1/4-20 x 1 1/2" Bolt	ST074415AV	1
29	1/4" Washer	ST000600AV	1
30	Belt guard bracket	TF063400AV	1
31	Tube fitting	TF060402AJ	1
32	3/8" External tooth washer	ST072608AV	2
Δ	Caution Decal	DK306720AJ	1
Δ	Warning Decal	DK326400AV	1

(Δ) Not shown.

(†) Unloader valve available separately, Part Number CW000200AV.

(◆) When ordering pump replacement parts, see compressor nameplate for exact model number.