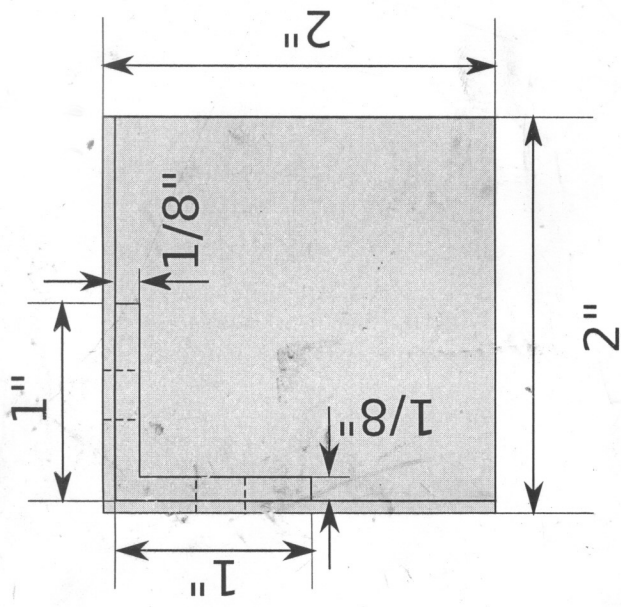
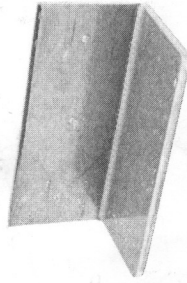
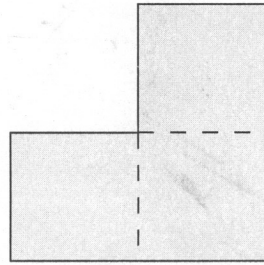
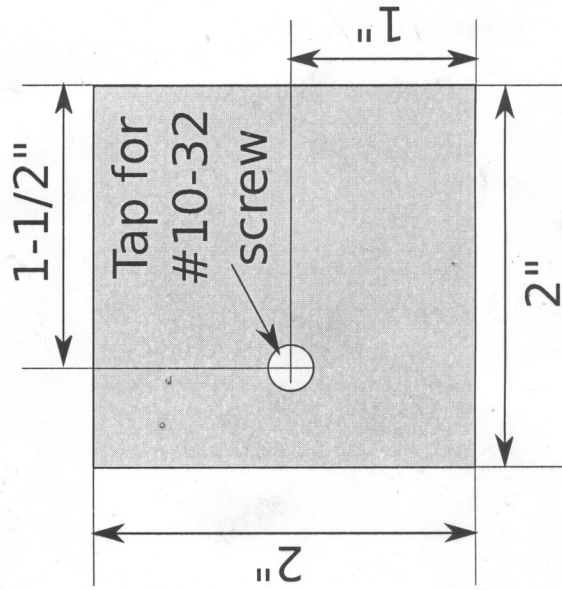


Metal-1 Test Part

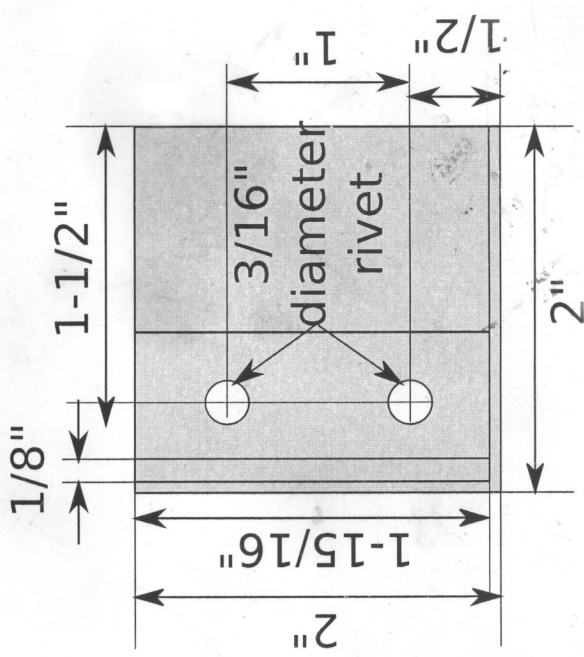
The part should be made from 1/16" thick sheet aluminum and 1/8" thick 90-deg aluminum stock.



Top View



Left Side



Front View